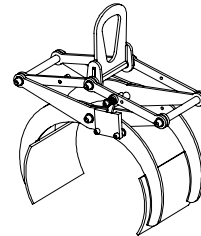
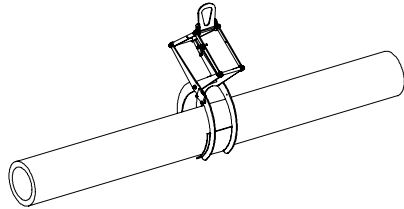
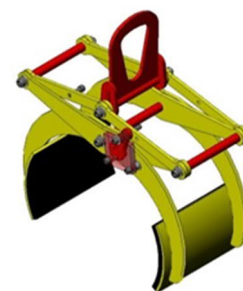
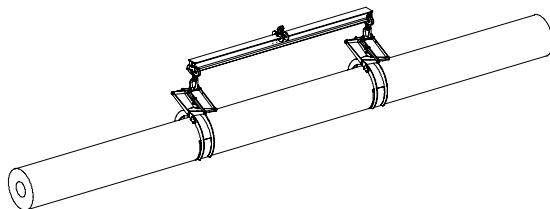


Applications

Transport and/ or laying in trenches of pipes, bars, tubes, ...



TI clamps



TI clamps +
chloroprene coating

Description

TIS: this model is fitted with an automatic locking in the open position in order to lay pipes without any manual operation on the clamp.

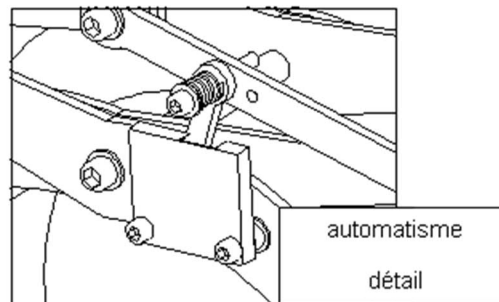
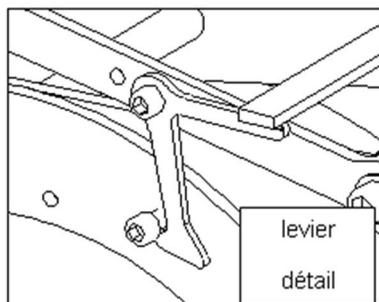
TIA: this model is fitted with an automatic device which permits lifting and laying pipes without any manual operation on the clamp.

Clamping is proportional to the load to minimize the risk of damage.

Functioning

TIS: lay the clamp in its open position onto the pipe. To perform lifting, activate the lever and hold it up whilst starting off the lift. When laying down, the clamp automatically locks itself open.

TIA: lay the clamp in its open position onto the pipe and activate the lifting means. The load is automatically lifted. When laying down, it is necessary to bring completely down the grab until the locking system is activated. The clamp is then locked open.



Important instructions

- Vertical traction only.
- Check the load is horizontally level when lifting with a single clamp.
- Use in pairs with a lifting beam recommended for long pipes.
- Working temperature: -20 to +100°C.

General characteristics

- Manufactured without load bearing welds.
- Hot epoxy coating.
- Safety factor: 3 in accordance with the EN 13155.2003 norm.
- Product conforms to the French regulation, in particular the decree of 01/03/2004 relating to the check on lifting devices and the European Directive n°98/37.
- Product with EC marking and delivered with a declaration of conformity and instructions for use.

Dimensional characteristics

| Ref standard clamp | Ref clamp with chloroprene coating | WLL kg | Opening | | A | | B | | C | | D | E | F | G | H | I | Weight kg |
|-----------------------|------------------------------------|--------|---------|------|------|------|------|------|------|------|-----|-----|----|-----|-----|-----|-----------|
| | | | mini | maxi | mini | maxi | mini | maxi | mini | maxi | | | | | | | |
| TIS 230-400 50938 | TIS 230-400-CR 189158 | 500 | 230 | 400 | 680 | 1047 | 498 | 640 | 371 | 625 | 220 | 300 | 10 | 318 | 110 | 170 | 35 |
| TIA 230-400 50948 | TIA 230-400-CR 189168 | 500 | 230 | 400 | 680 | 1047 | 498 | 640 | 371 | 625 | 220 | 300 | 10 | 318 | 110 | 170 | 37 |
| TIS 380-650 50958 | TIS 380-650-CR 189178 | 500 | 380 | 650 | 900 | 1440 | 765 | 950 | 562 | 932 | 343 | 300 | 10 | 318 | 110 | 170 | 39 |
| TIA 380-650 50968 | TIA 380-650-CR 189188 | 500 | 380 | 650 | 900 | 1440 | 765 | 950 | 562 | 932 | 343 | 300 | 10 | 318 | 110 | 170 | 39 |
| TIS1 450-900 50978 | TIS1 450-900-CR 189198 | 1000 | 450 | 900 | 1085 | 1870 | 930 | 1212 | 720 | 1271 | 465 | 300 | 10 | 318 | 110 | 170 | 64 |
| TIA1 450-900 50988 | TIA1 450-900-CR 189208 | 1000 | 450 | 900 | 1085 | 1870 | 930 | 1212 | 720 | 1271 | 465 | 300 | 10 | 318 | 110 | 170 | 64 |

WLL : Work Load Limit

